

True Ice Series

Modular Commercial Cube Ice Machine

Model: **TCIM-630**



TrueTouch®



AIR-COOLED • TCIM-630-HA1-A

(Shown on a TIB-530 ice bin. Sold separately.)

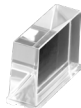
30" W x 24" D x 22" H
(76.2 x 61 x 56 cm)



CUBE SIZES

HALF

7/16" x 1-1/8" x 7/8"
(11.1 x 28.6 x 22.2 mm)



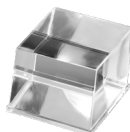
FULL

7/8" x 7/8" x 7/8"
(22.2 x 22.2 x 22.2 mm)



LARGE

1-1/8" x 1-1/8" x 7/8"
(28.6 x 28.6 x 22.2 mm)



- Produces up to **630 lbs** (286 kg) of ice per 24 hours
- Exceeds ENERGY STAR® standards by **up to 37%**
- Eco-friendly **R290** refrigerant: **5.1 oz** (145 g)
- **One-touch** cleaning

FEATURES & BENEFITS

▶ Superior Sanitation & Maximum Efficiency

- TrueNcapsuL8® patented, fully insulated, sealed evaporator inhibits mold and bacteria growth
- TrueZone® air purification cleans air in food zone and bin with advanced growth-inhibitor technology*
- TrueGuard™ antimicrobial protection built into molded components and bin liner
- Shortest cycle times in the industry — fast ice production with no harvest assist required
- Wide operating range: **35 °F to 110 °F** (1.6 °C to 43.3 °C)
- One-touch cleaning with tool-free, removable food zone parts

▶ Advanced Diagnostics & Ice Level Monitoring

- TrueTouch® 4.3" smart touchscreen with predictive diagnostics and clear system status — no cryptic codes
- High/low-pressure transducers for gauge-free servicing
- Visual and audible alarms with push notifications
- Programmable ice production scheduling
- Time-of-Flight™ real-time ice level monitoring — no thermostats required

▶ Remote Monitoring

- Remote monitoring with easy back-end data access
- Location-based performance optimization
- Remote shut-off capability

*TrueZone® is an optional accessory, sold separately.

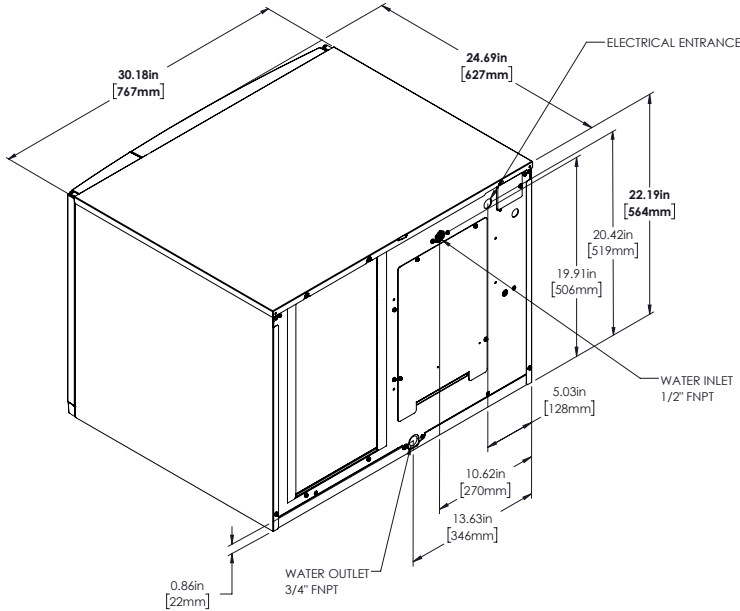
True Ice Series

Modular Commercial Cube Ice Machine

Model: **TCIM-630**

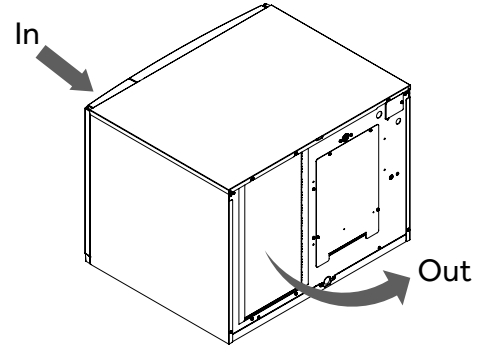


PLAN VIEW



CLEARANCE

PLEASE NOTE: air-cooled units require 6" (152.4mm) clearance for air intake and exhaust on the left, right, and back sides.



ADDITIONAL FEATURES

- TrueTech® clear-coated exterior with superior corrosion and fingerprint resistance
- Removable air filter and RCU technology
- Micro-channel condenser for superior efficiency
- Ultra-quiet fan operation

SPECIFICATIONS

AIR COOLED			ICE PRODUCTION / 24 HOURS				Peak Heat of Rejection BTU/hr
True Ice Series Model	Cube Size	Crated Weight (lbs)	70°F Air / 50°F Water (21° Air / 10°C Water)	90°F Air / 70°F Water** (32° Air / 21°C Water)			
			Ice Production (lbs)	Ice Production (lbs)	Potable Water Consumption/100lb	Electrical Consumption/100lb	
TCIM-630-HA1-A •	Half	190 (86 kg)	630 (286 kg)	556 (252 kg)	13.8 gal	3.95 kWh	8,500
TCIM-630-FA1-A •	Full		615 (279 kg)	508 (231 kg)	14.2 gal	4.25 kWh	
TCIM-630-LA1-A	Large		600 (272 kg)	510 (232 kg)	14.2 gal	4.45 kWh	

• Energy Star Model

ELECTRICAL		CONNECTIONS	
Voltage	Min Circuit Ampacity	Potable Water In	1/2" Female NPT
115/60/1	15	Water Out	3/4" Female NPT
		Electrical Connection Junction Box	104-127 VAC/60Hz/1

OPERATING REQUIREMENTS		
	Minimum	Maximum
Ambient Air Temp	35°F (1.7°C)	110°F (43.3°C)
Water Temp	35°F (1.7°C)	100°F (37.7°C)
Water Pressure	20 psi (138 kPa)	100 psi (689 kPa)



ACCESSORIES

- TrueZone® Ozone Growth Inhibitor Device
- True Platinum and Standard Water Filters & Filter Kits



**Performance specifications are subject to change. For the most up-to-date information, please visit [Energy Star's website](https://www.energystar.gov).